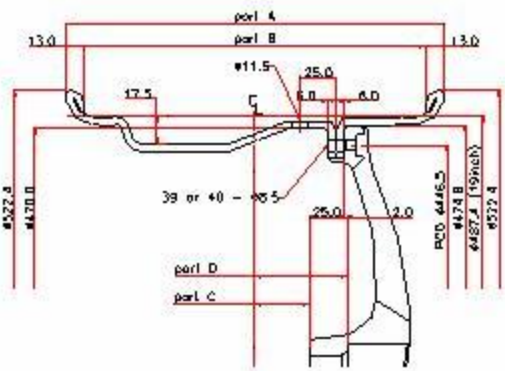
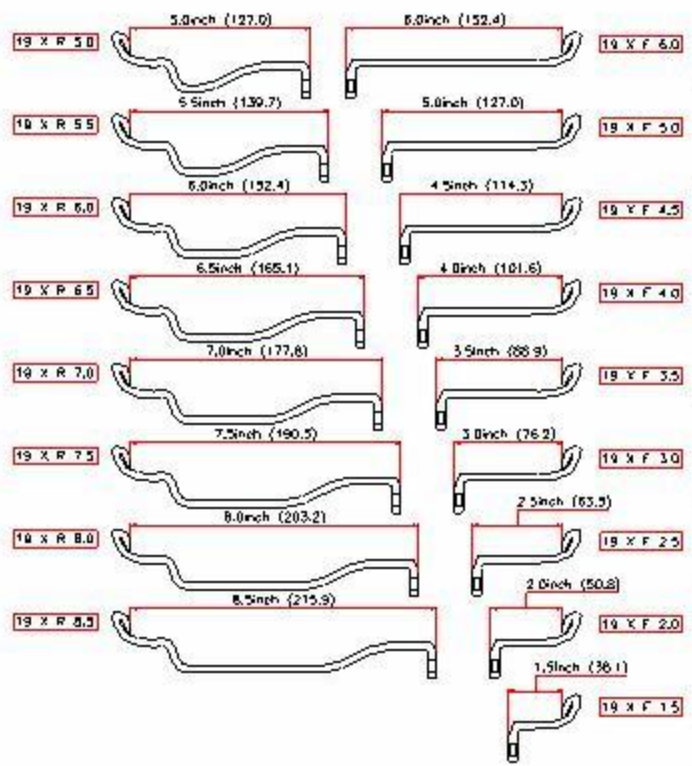


	18-R5.0	18-R6.0	18-R6.5	18-R7.0	18-R7.5	18-R8.0						
18-F1.5	A part	6.5 165.1	A part	7.5 190.5	A part	8.0 203.2	A part	8.5 215.9	A part	9.0 228.6	A part	9.5 241.3
	B part	191.1	B part	216.5	B part	229.2	B part	241.9	B part	254.6	B part	267.3
	C part	35.5	C part	48.2	C part	54.5	C part	60.9	C part	67.2	C part	73.6
	D part	52.5	D part	65.2	D part	71.5	D part	77.9	D part	84.2	D part	90.6
18-F2.0	A part	7.0 177.8	A part	8.0 203.2	A part	8.5 215.9	A part	9.0 228.6	A part	9.5 241.3	A part	10.0 254.0
	B part	203.8	B part	223.2	B part	241.9	B part	254.6	B part	267.3	B part	280.0
	C part	29.1	C part	41.8	C part	48.2	C part	54.5	C part	60.9	C part	67.2
	D part	46.1	D part	58.8	D part	65.2	D part	71.5	D part	77.9	D part	84.2
18-F2.5	A part	7.5 190.5	A part	8.5 215.9	A part	9.0 228.6	A part	9.5 241.3	A part	10.0 254.0	A part	10.5 266.7
	B part	216.5	B part	241.9	B part	254.6	B part	267.3	B part	280.0	B part	292.7
	C part	22.8	C part	35.5	C part	41.8	C part	48.2	C part	54.5	C part	60.9
	D part	39.8	D part	52.5	D part	58.8	D part	65.2	D part	71.5	D part	77.9
18-F3.0	A part	8.0 203.2	A part	9.0 228.6	A part	9.5 241.3	A part	10.0 254.0	A part	10.5 266.7	A part	11.0 279.4
	B part	229.2	B part	254.6	B part	267.3	B part	280.0	B part	292.7	B part	305.4
	C part	16.4	C part	29.1	C part	35.5	C part	41.8	C part	48.2	C part	54.5
	D part	33.4	D part	46.1	D part	52.5	D part	58.8	D part	65.2	D part	71.5
18-F3.5	A part	8.5 215.9	A part	9.5 241.3	A part	10.0 254.0	A part	10.5 266.7	A part	11.0 279.4	A part	11.5 292.1
	B part	241.9	B part	267.3	B part	280.0	B part	292.7	B part	305.4	B part	318.1
	C part	10.1	C part	22.8	C part	29.1	C part	35.5	C part	41.8	C part	48.2
	D part	27.1	D part	39.8	D part	46.1	D part	52.5	D part	58.8	D part	65.2
18-F4.0	A part	9.0 228.6	A part	10.0 254.0	A part	10.5 266.7	A part	11.0 279.4	A part	11.5 292.1	A part	12.0 304.8
	B part	254.6	B part	280.0	B part	292.7	B part	305.4	B part	318.1	B part	330.8
	C part	3.7	C part	16.4	C part	22.8	C part	29.1	C part	35.5	C part	41.8
	D part	20.7	D part	33.4	D part	39.8	D part	46.1	D part	52.5	D part	58.8
18-F5.0	A part	10.0 254.0	A part	11.0 279.4	A part	11.5 292.1	A part	12.0 304.8	A part	12.5 317.5	A part	13.0 330.2
	B part	280.0	B part	305.4	B part	318.1	B part	330.8	B part	343.5	B part	356.2
	C part	-9.0	C part	3.7	C part	10.1	C part	16.4	C part	22.8	C part	29.1
	D part	8.0	D part	20.7	D part	27.1	D part	33.4	D part	39.8	D part	46.1



Taechang Corporation

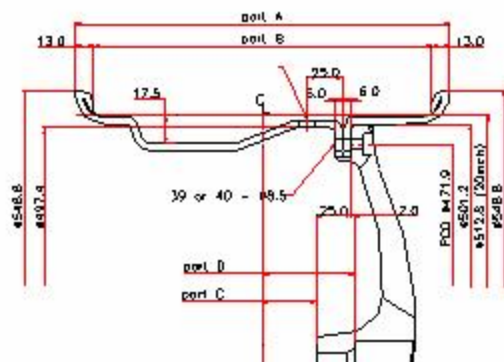
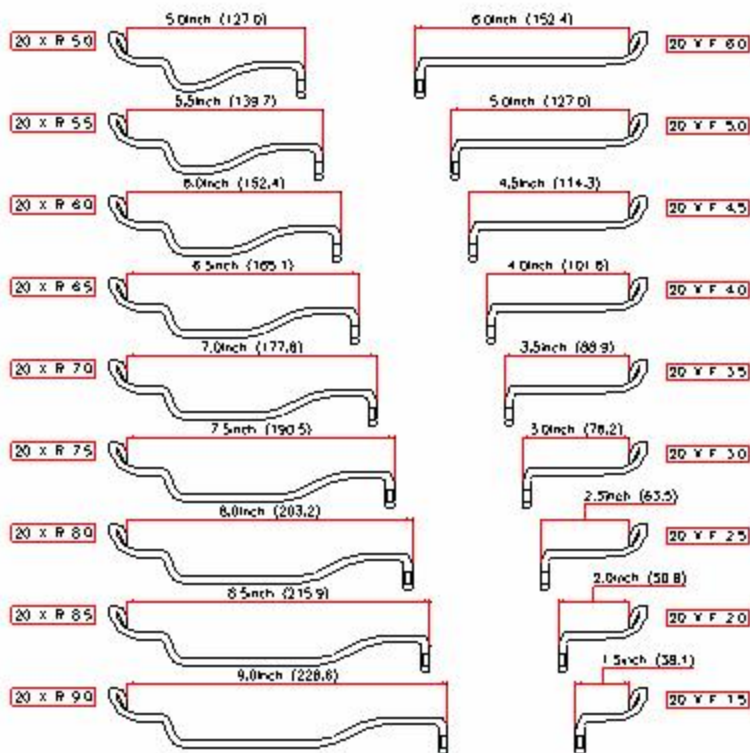
MATERIAL	AL5052 or AL 6061 Th6.0	SCALE	
TITLE		DATE	07.11.12
SIZE	18 INCH	THIRD ANGLE PROJECTION	
FINISH	Chrome or Anodizing		



	19-R5.0		19-R5.5		19-R6.0		19-R6.5		19-R7.0		19-R7.5		19-R8.0		19-R8.5	
19-F1.5	A part	6.5	A part	7.0	A part	7.5	A part	8.0	A part	8.5	A part	9.0	A part	9.5	A part	10.0
	B part	165.1	B part	177.8	B part	190.5	B part	203.2	B part	215.9	B part	228.6	B part	241.3	B part	254.0
	C part	191.1	C part	203.8	C part	216.5	C part	229.2	C part	241.9	C part	254.6	C part	267.3	C part	280.0
	D part	35.5	D part	41.8	D part	48.2	D part	54.5	D part	60.9	D part	67.2	D part	73.6	D part	79.9
19-F2.0	A part	5.5	A part	6.0	A part	6.5	A part	7.0	A part	7.5	A part	8.0	A part	8.5	A part	9.0
	B part	139.7	B part	152.4	B part	165.1	B part	177.8	B part	190.5	B part	203.2	B part	215.9	B part	228.6
	C part	152.4	C part	165.1	C part	177.8	C part	190.5	C part	203.2	C part	215.9	C part	228.6	C part	241.3
	D part	46.1	D part	52.5	D part	58.8	D part	65.2	D part	71.5	D part	77.9	D part	84.2	D part	90.6
19-F2.5	A part	7.5	A part	8.0	A part	8.5	A part	9.0	A part	9.5	A part	10.0	A part	10.5	A part	11.0
	B part	190.5	B part	203.2	B part	215.9	B part	228.6	B part	241.3	B part	254.0	B part	266.7	B part	279.4
	C part	215.5	C part	228.2	C part	240.9	C part	253.6	C part	266.3	C part	279.0	C part	291.7	C part	304.4
	D part	22.8	D part	29.1	D part	35.5	D part	41.8	D part	48.2	D part	54.5	D part	60.9	D part	67.2
19-F3.0	A part	8.0	A part	8.5	A part	9.0	A part	9.5	A part	10.0	A part	10.5	A part	11.0	A part	11.5
	B part	203.2	B part	215.9	B part	228.6	B part	241.3	B part	254.0	B part	266.7	B part	279.4	B part	292.1
	C part	229.2	C part	241.9	C part	254.6	C part	267.3	C part	280.0	C part	292.7	C part	305.4	C part	318.1
	D part	16.4	D part	22.8	D part	29.1	D part	35.5	D part	41.8	D part	48.2	D part	54.5	D part	60.9
19-F3.5	A part	8.5	A part	9.0	A part	9.5	A part	10.0	A part	10.5	A part	11.0	A part	11.5	A part	12.0
	B part	215.9	B part	228.6	B part	241.3	B part	254.0	B part	266.7	B part	279.4	B part	292.1	B part	304.8
	C part	241.9	C part	254.6	C part	267.3	C part	280.0	C part	292.7	C part	305.4	C part	318.1	C part	330.8
	D part	10.1	D part	16.4	D part	22.8	D part	29.1	D part	35.5	D part	41.8	D part	48.2	D part	54.5
19-F4.0	A part	9.0	A part	9.5	A part	10.0	A part	10.5	A part	11.0	A part	11.5	A part	12.0	A part	12.5
	B part	228.6	B part	241.3	B part	254.0	B part	266.7	B part	279.4	B part	292.1	B part	304.8	B part	317.5
	C part	254.6	C part	267.3	C part	280.0	C part	292.7	C part	305.4	C part	318.1	C part	330.8	C part	343.5
	D part	3.7	D part	10.1	D part	16.4	D part	22.8	D part	29.1	D part	35.5	D part	41.8	D part	48.2
19-F4.5	A part	9.5	A part	10.0	A part	10.5	A part	11.0	A part	11.5	A part	12.0	A part	12.5	A part	13.0
	B part	241.3	B part	254.0	B part	266.7	B part	279.4	B part	292.1	B part	304.8	B part	317.5	B part	330.2
	C part	267.3	C part	280.0	C part	292.7	C part	305.4	C part	318.1	C part	330.8	C part	343.5	C part	356.2
	D part	-2.7	D part	3.7	D part	10.1	D part	16.4	D part	22.8	D part	29.1	D part	35.5	D part	41.8
19-F5.0	A part	10.0	A part	10.5	A part	11.0	A part	11.5	A part	12.0	A part	12.5	A part	13.0	A part	13.5
	B part	254.0	B part	266.7	B part	279.4	B part	292.1	B part	304.8	B part	317.5	B part	330.2	B part	342.9
	C part	280.0	C part	292.7	C part	305.4	C part	318.1	C part	330.8	C part	343.5	C part	356.2	C part	368.9
	D part	-9.0	D part	-2.7	D part	3.7	D part	10.1	D part	16.4	D part	22.8	D part	29.1	D part	35.5
19-F6.0	A part	8.0	A part	8.5	A part	9.0	A part	9.5	A part	10.0	A part	10.5	A part	11.0	A part	11.5
	B part	144	B part	157.1	B part	170.2	B part	183.3	B part	196.4	B part	209.5	B part	222.6	B part	235.7
	C part	170.2	C part	183.3	C part	196.4	C part	209.5	C part	222.6	C part	235.7	C part	248.8	C part	261.9
	D part	8.0	D part	14.4	D part	20.7	D part	27.1	D part	33.4	D part	39.8	D part	46.1	D part	52.5

TCC Taechong Corporation

MATERIAL	AL5052 or AL 6061 Th6.0	SCALE	
TITLE		DATE	07.11.12
SIZE	19 INCH	THIRD ANGLE PROJECTION	
FINISH	Chrome or Anodizing		

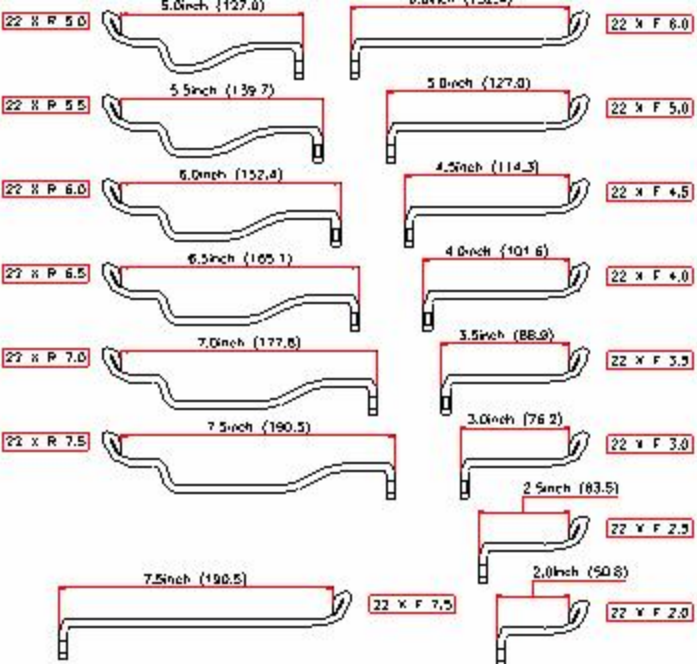


	20-R5.0	20-R5.5	20-R6.0	20-R6.5	20-R7.0	20-R7.5	20-R8.0	20-R8.5	20-R9.0
20-F1.5	A part 4.5 195.1	A part 7.0 177.8	A part 7.5 196.5	A part 8.0 203.2	A part 8.5 215.9	A part 9.0 228.6	A part 9.5 241.3	A part 10.0 254.0	A part 10.5 266.7
	B part 191.1	B part 203.8	B part 216.5	B part 229.2	B part 241.9	B part 254.6	B part 267.3	B part 280.0	B part 292.7
	C part 35.3	C part 41.0	C part 46.7	C part 52.4	C part 58.1	C part 63.8	C part 69.5	C part 75.2	C part 80.9
	D part 52.5	D part 58.2	D part 63.9	D part 69.6	D part 75.3	D part 81.0	D part 86.7	D part 92.4	D part 98.1
20-F2.0	A part 7.0 177.8	A part 7.5 190.5	A part 8.0 203.2	A part 8.5 215.9	A part 9.0 228.6	A part 9.5 241.3	A part 10.0 254.0	A part 10.5 266.7	A part 11.0 279.4
	B part 203.8	B part 216.5	B part 229.2	B part 241.9	B part 254.6	B part 267.3	B part 280.0	B part 292.7	B part 305.4
	C part 28.1	C part 35.5	C part 41.0	C part 46.5	C part 52.0	C part 57.5	C part 63.0	C part 68.5	C part 74.0
	D part 46.1	D part 52.5	D part 58.9	D part 65.3	D part 71.7	D part 78.1	D part 84.5	D part 90.9	D part 97.3
20-F2.5	A part 7.5 190.5	A part 8.0 203.2	A part 8.5 215.9	A part 9.0 228.6	A part 9.5 241.3	A part 10.0 254.0	A part 10.5 266.7	A part 11.0 279.4	A part 11.5 292.1
	B part 216.5	B part 229.2	B part 241.9	B part 254.6	B part 267.3	B part 280.0	B part 292.7	B part 305.4	B part 318.1
	C part 22.8	C part 29.1	C part 35.5	C part 41.8	C part 48.2	C part 54.5	C part 60.9	C part 67.2	C part 73.6
	D part 39.9	D part 45.1	D part 52.5	D part 58.8	D part 65.2	D part 71.5	D part 77.9	D part 84.2	D part 90.6
20-F3.0	A part 8.0 203.2	A part 8.5 215.9	A part 9.0 228.6	A part 9.5 241.3	A part 10.0 254.0	A part 10.5 266.7	A part 11.0 279.4	A part 11.5 292.1	A part 12.0 304.8
	B part 229.2	B part 241.9	B part 254.6	B part 267.3	B part 280.0	B part 292.7	B part 305.4	B part 318.1	B part 330.8
	C part 16.4	C part 22.0	C part 29.1	C part 35.5	C part 41.8	C part 48.2	C part 54.5	C part 60.9	C part 67.2
	D part 33.4	D part 38.6	D part 46.1	D part 52.5	D part 58.9	D part 65.2	D part 71.5	D part 77.9	D part 84.2
20-F3.5	A part 8.5 215.9	A part 9.0 228.6	A part 9.5 241.3	A part 10.0 254.0	A part 10.5 266.7	A part 11.0 279.4	A part 11.5 292.1	A part 12.0 304.8	A part 12.5 317.5
	B part 241.9	B part 254.6	B part 267.3	B part 280.0	B part 292.7	B part 305.4	B part 318.1	B part 330.8	B part 343.5
	C part 10.1	C part 15.4	C part 22.0	C part 29.1	C part 35.5	C part 41.8	C part 48.2	C part 54.5	C part 60.9
	D part 27.1	D part 33.4	D part 39.8	D part 46.1	D part 52.5	D part 58.8	D part 65.2	D part 71.5	D part 77.9
20-F4.0	A part 9.0 228.6	A part 9.5 241.3	A part 10.0 254.0	A part 10.5 266.7	A part 11.0 279.4	A part 11.5 292.1	A part 12.0 304.8	A part 12.5 317.5	A part 13.0 330.2
	B part 254.6	B part 267.3	B part 280.0	B part 292.7	B part 305.4	B part 318.1	B part 330.8	B part 343.5	B part 356.2
	C part 3.7	C part 10.1	C part 16.4	C part 22.8	C part 29.1	C part 35.5	C part 41.8	C part 48.2	C part 54.5
	D part 20.7	D part 27.1	D part 33.4	D part 39.8	D part 46.1	D part 52.5	D part 58.8	D part 65.2	D part 71.5
20-F4.5	A part 9.5 241.3	A part 10.0 254.0	A part 10.5 266.7	A part 11.0 279.4	A part 11.5 292.1	A part 12.0 304.8	A part 12.5 317.5	A part 13.0 330.2	A part 13.5 342.9
	B part 267.3	B part 280.0	B part 292.7	B part 305.4	B part 318.1	B part 330.8	B part 343.5	B part 356.2	B part 368.9
	C part -2.7	C part 3.7	C part 10.1	C part 16.4	C part 22.8	C part 29.1	C part 35.5	C part 41.8	C part 48.2
	D part 14.4	D part 20.7	D part 27.1	D part 33.4	D part 39.8	D part 46.1	D part 52.5	D part 58.8	D part 65.2
20-F5.0	A part 10.0 254.0	A part 10.5 266.7	A part 11.0 279.4	A part 11.5 292.1	A part 12.0 304.8	A part 12.5 317.5	A part 13.0 330.2	A part 13.5 342.9	A part 14.0 355.6
	B part 280.0	B part 292.7	B part 305.4	B part 318.1	B part 330.8	B part 343.5	B part 356.2	B part 368.9	B part 381.6
	C part -5.0	C part -2.7	C part 3.7	C part 10.1	C part 16.4	C part 22.8	C part 29.1	C part 35.5	C part 41.8
	D part 9.0	D part 14.4	D part 20.7	D part 27.1	D part 33.4	D part 39.8	D part 46.1	D part 52.5	D part 58.8
20-F6.0	A part 11.0 279.4	A part 11.5 292.1	A part 12.0 304.8	A part 12.5 317.5	A part 13.0 330.2	A part 13.5 342.9	A part 14.0 355.6	A part 14.5 368.3	A part 15.0 381.0
	B part 305.4	B part 318.1	B part 330.8	B part 343.5	B part 356.2	B part 368.9	B part 381.6	B part 394.3	B part 407.0
	C part -21.7	C part -15.4	C part -9.0	C part -2.6	C part 3.7	C part 10.1	C part 16.4	C part 22.8	C part 29.1
	D part -4.7	D part 1.7	D part 8.0	D part 14.4	D part 20.7	D part 27.1	D part 33.4	D part 39.8	D part 46.1

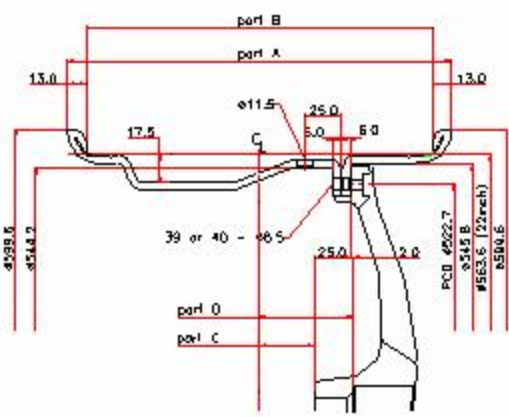


Taechang Corporation

MATERIAL	AL5052 or AL 6061 T6.0	SCALE	
TITLE		DATE	07.11.12
SIZE	20 INCH	THIRD ANGLE PROJECTION	
FINISH	Chrome or Anodizing		

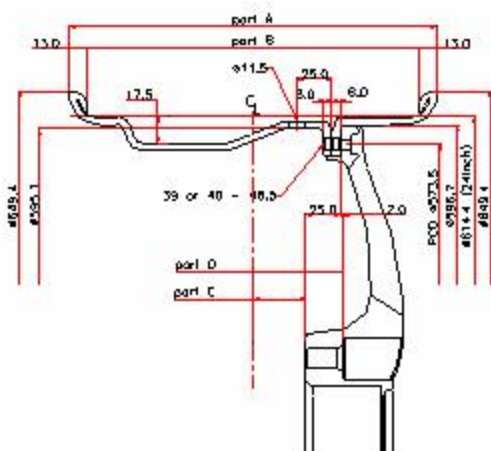
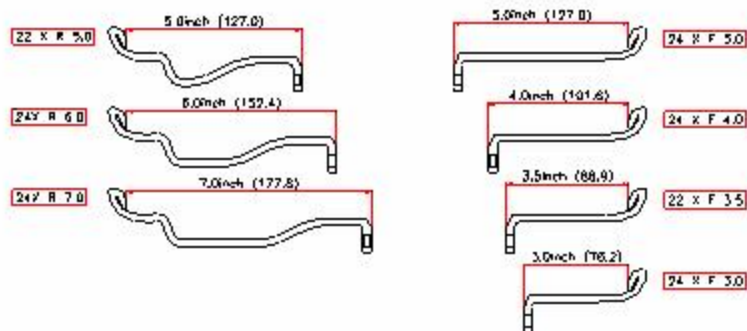


22-F2.5	A part	6.5	A part	7.5	A part	8.0	A part	8.5	A part	9.0	A part	9.5	A part	10.0
	B part	165.1	B part	190.5	B part	203.2	B part	215.9	B part	228.6	B part	241.3	B part	254.0
	C part	10.1	C part	22.0	C part	23.1	C part	35.5	C part	41.0	C part	48.2	C part	54.5
	D part	27.1	D part	39.0	D part	46.1	D part	52.5	D part	58.0	D part	65.2	D part	71.5
22-F3.0	A part	7.0	A part	8.0	A part	8.5	A part	9.0	A part	9.5	A part	10.0	A part	10.5
	B part	177.8	B part	203.2	B part	215.9	B part	228.6	B part	241.3	B part	254.0	B part	266.7
	C part	3.7	C part	16.4	C part	22.0	C part	23.1	C part	35.5	C part	41.0	C part	48.2
	D part	20.7	D part	33.4	D part	39.0	D part	46.1	D part	52.5	D part	58.0	D part	65.2
22-F3.5	A part	7.5	A part	8.5	A part	9.0	A part	9.5	A part	10.0	A part	10.5	A part	11.0
	B part	190.5	B part	215.9	B part	228.6	B part	241.3	B part	254.0	B part	266.7	B part	279.4
	C part	3.7	C part	16.4	C part	22.0	C part	23.1	C part	35.5	C part	41.0	C part	48.2
	D part	20.7	D part	33.4	D part	39.0	D part	46.1	D part	52.5	D part	58.0	D part	65.2
22-F4.0	A part	8.0	A part	9.0	A part	9.5	A part	10.0	A part	10.5	A part	11.0	A part	11.5
	B part	203.2	B part	228.6	B part	241.3	B part	254.0	B part	266.7	B part	279.4	B part	292.1
	C part	-9.0	C part	3.7	C part	10.1	C part	16.4	C part	22.0	C part	23.1	C part	35.5
	D part	8.0	D part	20.7	D part	27.1	D part	33.4	D part	39.0	D part	46.1	D part	52.5
22-F4.5	A part	8.5	A part	9.5	A part	10.0	A part	10.5	A part	11.0	A part	11.5	A part	12.0
	B part	215.9	B part	241.3	B part	254.0	B part	266.7	B part	279.4	B part	292.1	B part	304.8
	C part	-15.4	C part	-2.7	C part	3.7	C part	10.1	C part	16.4	C part	22.0	C part	23.1
	D part	1.6	D part	14.4	D part	20.7	D part	27.1	D part	33.4	D part	39.0	D part	45.1
22-F5.0	A part	9.0	A part	10.0	A part	10.5	A part	11.0	A part	11.5	A part	12.0	A part	12.5
	B part	228.6	B part	254.0	B part	266.7	B part	279.4	B part	292.1	B part	304.8	B part	317.5
	C part	-21.7	C part	-9.0	C part	-2.7	C part	3.7	C part	10.1	C part	16.4	C part	22.0
	D part	-4.7	D part	8.0	D part	14.4	D part	20.7	D part	27.1	D part	33.4	D part	39.0
22-F6.0	A part	10.0	A part	11.0	A part	11.5	A part	12.0	A part	12.5	A part	13.0	A part	13.5
	B part	254.0	B part	279.4	B part	292.1	B part	304.8	B part	317.5	B part	330.2	B part	342.9
	C part	-34.4	C part	-21.7	C part	-15.4	C part	-9.0	C part	-2.6	C part	3.7	C part	10.1
	D part	-17.4	D part	-4.7	D part	1.7	D part	8.0	D part	14.4	D part	20.7	D part	27.1
22-F7.0	A part	11.0	A part	12.0	A part	12.5	A part	13.0	A part	13.5	A part	14.0	A part	14.5
	B part	279.4	B part	304.8	B part	317.5	B part	330.2	B part	342.9	B part	355.6	B part	368.3
	C part	-47.1	C part	-34.4	C part	-28.1	C part	-21.7	C part	-15.4	C part	-9.0	C part	-2.7
	D part	-30.1	D part	-17.4	D part	-11.1	D part	-4.7	D part	1.7	D part	8.0	D part	14.4



TCC Taechang Corporation

MATERIAL	AL5052 or AL 6061 Th6.0	SCALE	
TITLE		DATE	07.11.12
SIZE	22 INCH	THIRD ANGLE PROJECTION	
FINISH	Chrome or Anodizing		



	24-R5.0		24-R6.0		24-R7.0	
24-F3.0	A part	8.0	A part	9.0	A part	10.0
		203.2		228.6		254.0
	B part	229.2	B part	254.6	B part	280.0
	C part	16.4	C part	29.1	C part	41.8
D part	33.4	D part	46.1	D part	58.8	
24-F3.5	A part	8.5	A part	9.5	A part	10.5
		215.9		241.3		266.7
	B part	241.9	B part	267.3	B part	292.7
	C part	10.1	C part	22.8	C part	35.5
D part	27.1	D part	39.8	D part	52.5	
24-F4.0	A part	9.0	A part	10.0	A part	11.0
		228.6		254.0		279.4
	B part	254.6	B part	280.0	B part	305.4
	C part	3.7	C part	16.4	C part	29.1
D part	20.7	D part	33.4	D part	46.1	
24-F5.0	A part	10.0	A part	11.0	A part	12.0
		254.0		279.4		304.8
	B part	280.0	B part	305.4	B part	330.8
	C part	-9.0	C part	3.7	C part	16.4
D part	8.0	D part	20.7	D part	33.4	

TCC Taechang Corporation

MATERIAL	AL5052 or AL 6061 Th8.0	SCALE	
TITLE		DATE	07.11.12
SIZE	24 INCH	THIRD ANGLE PROJECTION	
FINISH	Chrome or Anodizing		